

**EK3 DATA SHEET**  
GAS - MAX 399,000 BTU/hr



**Commercial capacity and  
quieter than a microwave oven,  
plus . . .**

- Light weight, only 650 pounds
- Easily piped into multiple zones
- Highest efficiency
- Install multiple units for larger applications and redundancy

EK3 is part of the System 2000 family of products manufactured by



*It's got to be*  
**SYSTEM  
2000®**

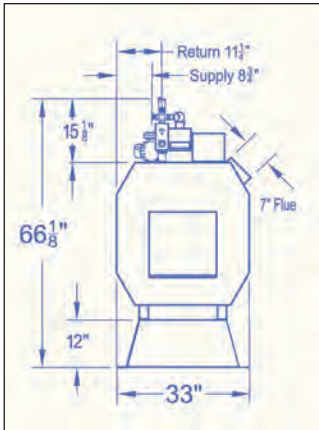
Call us today for more information **800-661-0902**  
[www.system2000.com](http://www.system2000.com)

# EK3 GAS - MAX 399,000 BTU/hr

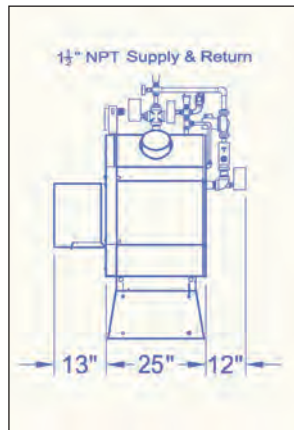
## Specifications

- Fully Packaged Pre-Piped and Pre-Wired Boiler and Burner
- Easy Service Design – Side Swing Door for Complete Inspection and Service
- Will fit through a 34" doorway (or a 30" door with some disassembly required)
- Easy installation, weighs just 650 pounds
- ASME and National Board Certified Construction Standard
- UL listed to ANSI Z21.13b
- 7 gallon water content
- 30 psi relief valve

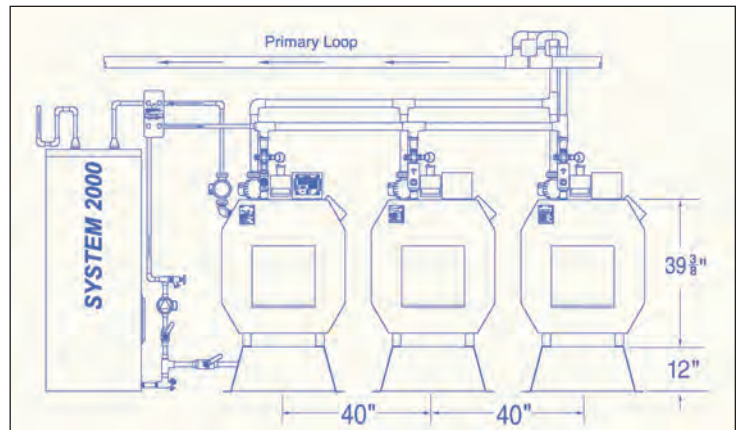
- Manual Reset High Limit included
- Manual Reset Low Water Cut Off included
- Ideal for commercial applications and extremely large residences
- Designed for multiple boiler applications – multiple boiler controls are optional
- Combustion efficiency up to 87% for primary/secondary injection
- Digital Energy Manager Control Package for multi-zone heating and optional domestic hot water production



FRONT ELEVATION



SIDE ELEVATION

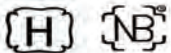


1,000,000 BTU/hr heat and hot water application

Combine the EK3 with Energy Kinetics' high performance hot water systems to meet virtually unlimited demands for hot water.

- 7" diameter flue connection
- 1 1/2" supply, 1 1/2" return
- Taco 007 Bypass Circulator and 0012 System Circulator included

Input (BTU/hr.)	Gross Output LP (BTU/hr)	Gross Output NG (BTU/hr)
300,000	260,000	255,000
350,000	299,000	292,000
399,000	335,000	327,000



Patents 4,261,299 4,425,875 4,785,308 6,276,307 & Patents Pending

## The System 2000 family:

All System 2000 models feature famous American made Energy Kinetics quality including swing door, wide open passages, and no pins or baffles. Choose the right System 2000 for your residential or commercial installation.

It's as easy as 1, 2 or 3!



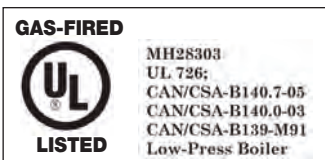
**EK1 GAS**  
MAX 150,000 BTU/hr  
SHOWN WITH DOMESTIC HOT WATER



**EK2 GAS**  
MAX 250,000 BTU/hr



**EK3 GAS**  
MAX 399,000 BTU/hr



Energy Kinetics is an ENERGY STAR® Partner and a leading manufacturer of ENERGY STAR® heating equipment.



51 Molasses Hill Road, Lebanon NJ 08833  
Tel: 800 323 2066 Fax: 800 735 2068